



# 81 and 65 MUX LCD Controller and Driver

## High Uniformity of Contrast and no external components

### Description

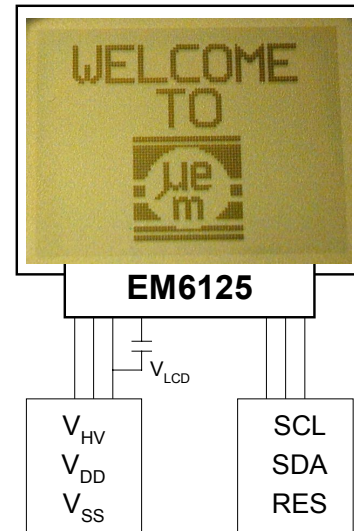
The EM6125 is an ultra-low power bit map controller and driver for full dot matrix monochrome STN LCD displays. The driving capability is **81 rows x 102 columns** or **65 rows x 118 columns** addressed by I<sup>2</sup>C or 3-wire interface. V<sub>LCD</sub> is internally generated until 11V without external components.

### Key Features

- ❑ High accuracy of frame frequency and LCD voltage by laser trimming
- ❑ No external components
- ❑ Generated LCD voltage on chip
- ❑ Partial display of 17 rows
- ❑ I<sup>2</sup>C and 3-wire interfaces
- ❑ LCD voltage digitally programmable 3V to 11V
- ❑ Selectable x5, x4, x3, x2 multiplier factor for V<sub>LCD</sub>
- ❑ Supply voltage from low 1.8V up to 5.5V
- ❑ True Low Current:
  - I<sub>HV</sub>=124µA
  - I<sub>DD</sub>=15µA (active)
  - I<sub>DD</sub>=0.5µA (sleep)
- ❑ Temperature compensation of V<sub>LCD</sub> (4 coefficients)
- ❑ Oscillator for LCD refresh on chip
- ❑ Intermediate bias voltage generation on chip
- ❑ Available in die with gold bumps, COG, COF and COB

### & BENEFITS

- ✓ Flexibility and easy to design-in
- ✓ Uniformity of contrast of all dies in production
- ✓ Usable with a wide range of modules
- ✓ No flickering
- ✓ Ideal for portable and mobile phones applications
- ✓ Save PCB space
- ✓ Cost effective



### Typical Applications

- ❑ Mobile and DECT phones
- ❑ MP3 and DVD players
- ❑ Automotive displays & car audio
- ❑ Graphic calculators
- ❑ GPS, credit card readers
- ❑ Scales and utility meters
- ❑ Sporting & fishing devices

